

工业用插头、插座、耦合器（连接器）及接插装置

Industrial Power Plug, Socket, Coupler (Connector)

www.cnmcbb.com

工业用连接器 Industrial Connector

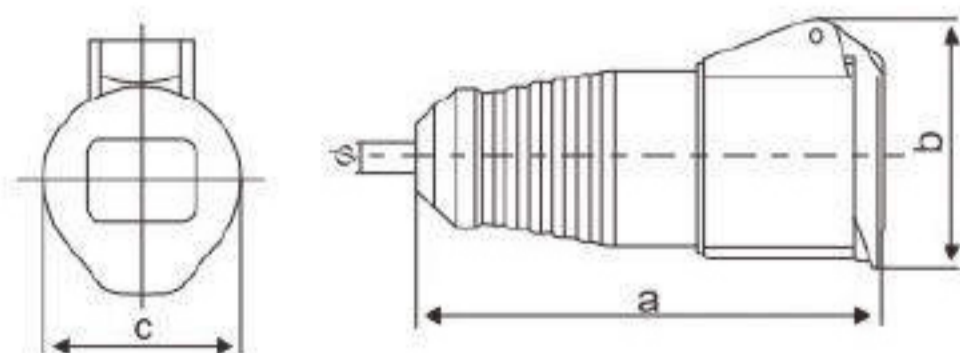


LK-213-4 LK-223-4



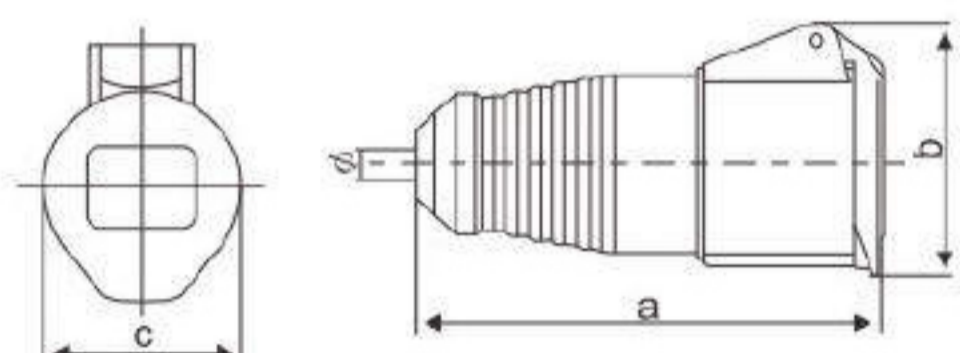
LK-213 LK-223

电 流 Current(A): 16A. 32A
电 压 Voltage(V): 110-130V~2P+E
防护等级 Protection degree: IP44



earth contact position	4h		
rated current(A)	16	32	
	pole 3		
dimension(mm)	a	131	150
	b	68	92
	c	50	65
	Φ	6	8
cable nominal cross-section area(mm ²)	1-2.5	2.5-6	

电 流 Current(A): 16A. 32A
电 压 Voltage(V): 220-240V~2P+E
防护等级 Protection degree: IP44



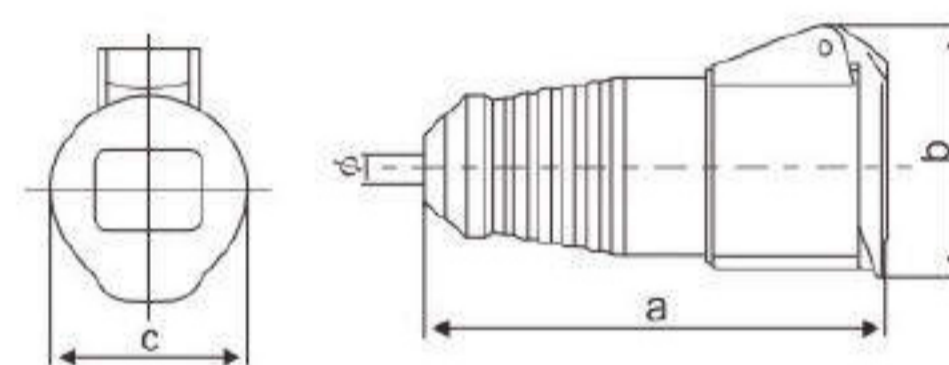
earth contact position	6h		
rated current(A)	16	32	
	pole 3		
dimension(mm)	a	131	150
	b	68	92
	c	50	65
	Φ	6	8
cable nominal cross-section area(mm ²)	1-2.5	2.5-6	



LK-214 LK-224

earth contact position	6h		
rated current(A)	16	32	
	pole 4		
dimension(mm)	a	131	150
	b	79	92
	c	56	65
	Φ	6	8
cable nominal cross-section area(mm ²)	1-2.5	2.5-6	

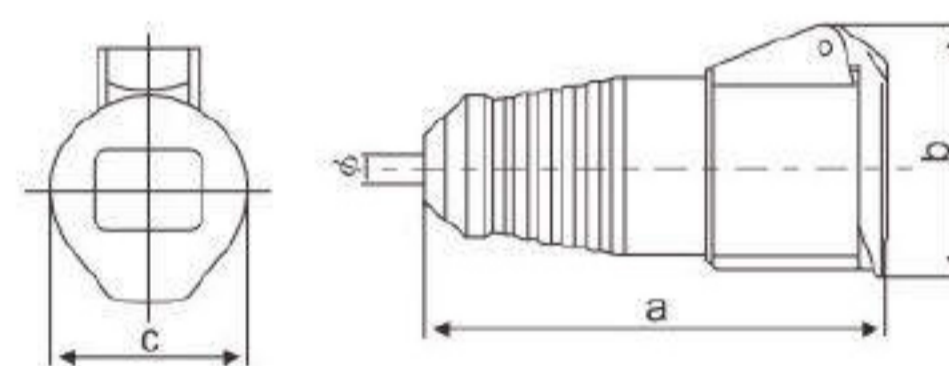
电 流 Current(A): 16A. 32A
电 压 Voltage(V): 380-415V~3P+E
防护等级 Protection degree: IP44



LK-215 LK-225

earth contact position	6h		
rated current(A)	16	32	
	pole 5		
dimension(mm)	a	139	154
	b	90	100
	c	63	70.5
	Φ	8	8
cable nominal cross-section area(mm ²)	1-2.5	2.5-6	

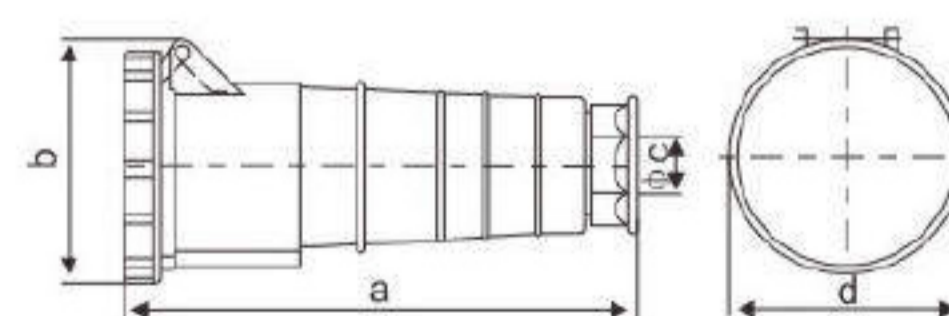
电 流 Current(A): 16A. 32A
电 压 Voltage(V): 220-380V~
240-415V~ 3P+N+E
防护等级 Protection degree: IP44



LK-233 LK-243

earth contact position	6h		
rated current(A)	63	125	
	pole 3		
dimension(mm)	a	240	303
	b	115	128
	c	16-38	30-50
	d	108	120
cable nominal cross-section area(mm ²)	6-16	16-50	

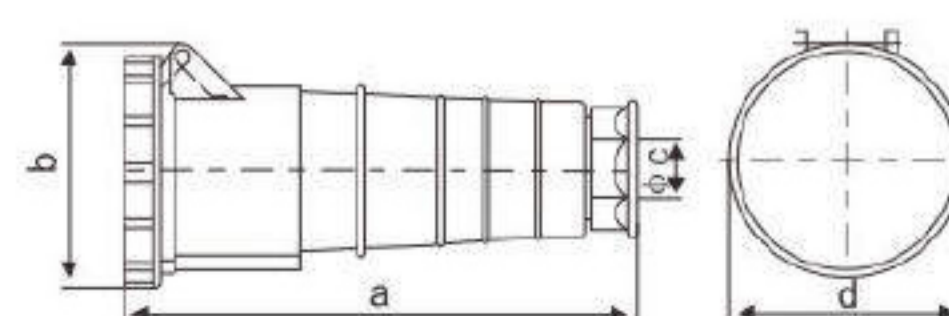
电 流 Current(A): 63A. 125A
电 压 Voltage(V): 220-240V~2P+E
防护等级 Protection degree: IP67



LK-234 LK-244

earth contact position	6h		
rated current(A)	63	125	
	pole 4		
dimension(mm)	a	240	303
	b	115	128
	c	16-38	30-50
	d	108	120
cable nominal cross-section area(mm ²)	6-16	16-50	

电 流 Current(A): 63A. 125A
电 压 Voltage(V): 380-415V~3P+E
防护等级 Protection degree: IP67





3pol 4pol 5pol
4h 4h 4h



3pol 4pol 5pol
6h 9h 9h



3pol 4pol 5pol
9h 6h 6h



3pol 4pol 5pol
7h 7h 7h



3pol 4pol 5pol
10h 10h 10h



3pol 4pol 5pol
2h 2h 2h



3
2P+E



4
3P+E



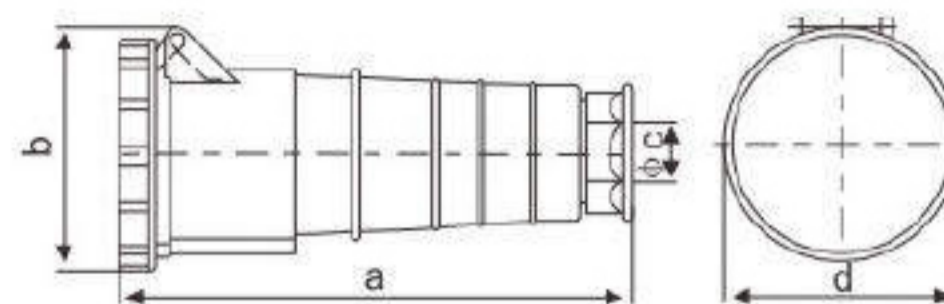
5
3P+N+E



LK-235 LK-245

earth contact position	6h		
rated current(A)	63	125	
	pole 5		
dimension(mm)	a	240	303
	b	115	128
	c	16-38	30-50
	d	108	120
cable nominal cross-section area(mm ²)	6-16	16-50	

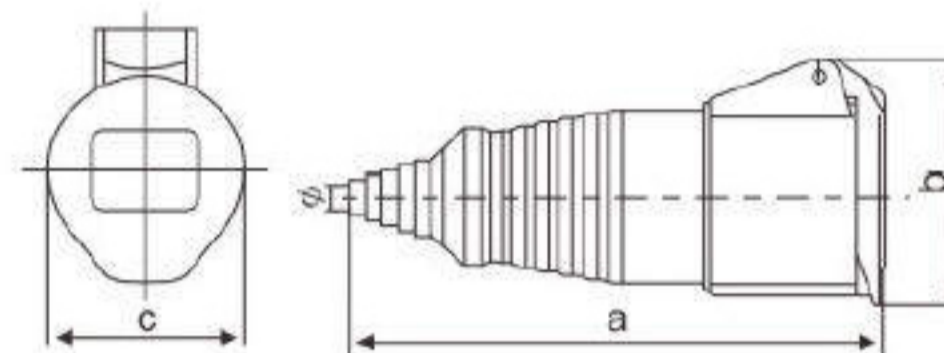
电 流 Current(A): 63A, 125A
电 压 Voltage(V): $\frac{220-380V\sim}{240-415V\sim}$ 3P+N+E
防护等级 Protection degree: IP67



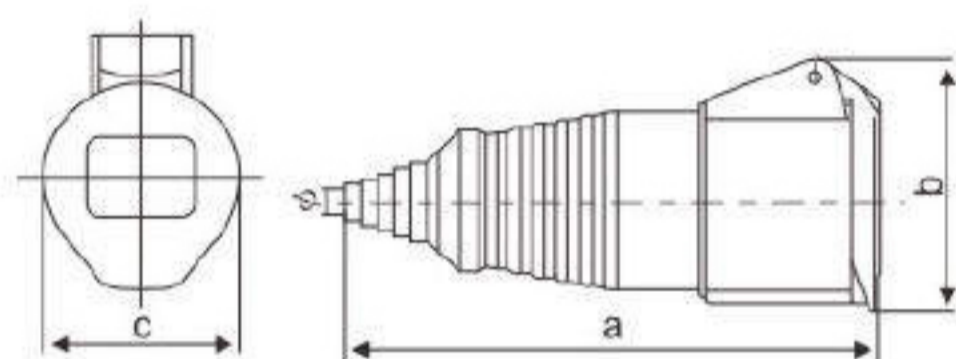
LK-213L-4 LK-223L-4

earth contact position	4h		
rated current(A)	16	32	
	pole 3		
dimension(mm)	a	150	189
	b	68	92
	c	50	65
	Φ	8	10
cable nominal cross-section area(mm ²)	1-2.5	2.5-6	

电 流 Current(A): 16A, 32A
电 压 Voltage(V): 110-130V~2P+E
防护等级 Protection degree: IP44



电 流 Current(A): 16A, 32A
电 压 Voltage(V): 220-240V~2P+E
防护等级 Protection degree: IP44

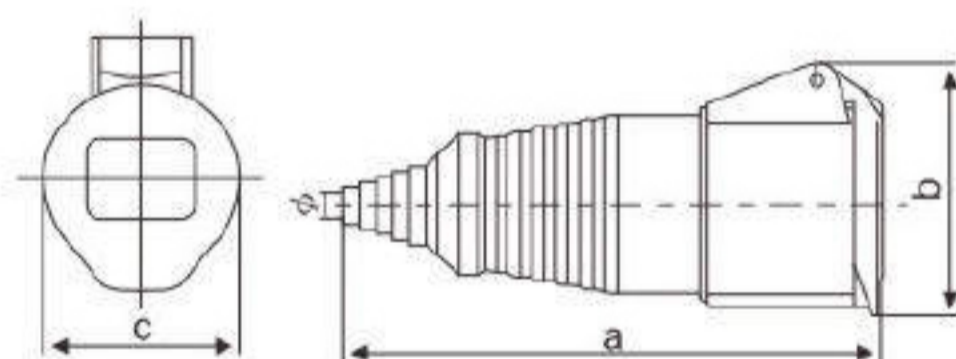


earth contact position	6h		
rated current(A)	16	32	
	pole 3		
dimension(mm)	a	150	189
	b	68	92
	c	50	65
	Φ	8	10
cable nominal cross-section area(mm ²)	1-2.5	2.5-6	



LK-213L LK-223L

电 流 Current(A): 16A, 32A
电 压 Voltage(V): 380-415V~3P+E
防护等级 Protection degree: IP44

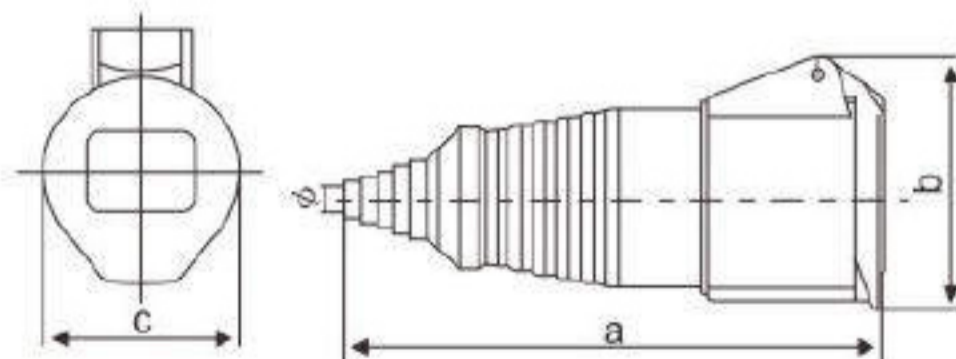


earth contact position	6h		
rated current(A)	16	32	
	pole 4		
dimension(mm)	a	149	189
	b	79	92
	c	56	65
	Φ	8	10
cable nominal cross-section area(mm ²)	1-2.5	2.5-6	



LK-214L LK-224L

电 流 Current(A): 16A, 32A
电 压 Voltage(V): $\frac{220-380V\sim}{240-415V\sim}$ 3P+N+E
防护等级 Protection degree: IP44



earth contact position	6h		
rated current(A)	16	32	
	pole 5		
dimension(mm)	a	179	193
	b	90	100
	c	63	70.5
	Φ	10	10
cable nominal cross-section area(mm ²)	1-2.5	2.5-6	



LK-215L LK-225L