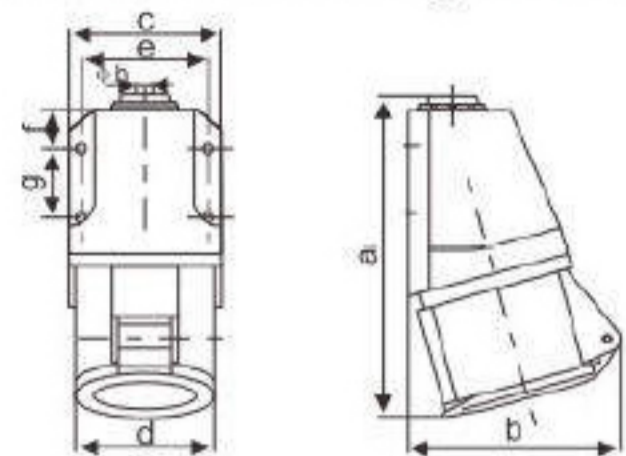


电 流 Current(A): 16A. 32A  
电 压 Voltage(V): 110-130V~2P+E  
防护等级 Protection degree: IP44



earth contact position	4h	
rated current(A)	16	32
	pole 3	
dimension(mm)	a	135
	b	92
	c	71
	d	50
	e	57
	f	20
	g	32.5
	h	6.5
cable nominal cross-section area(mm <sup>2</sup> )	1-2.5	2.5-6

工业用明装插座 Industrial Socket



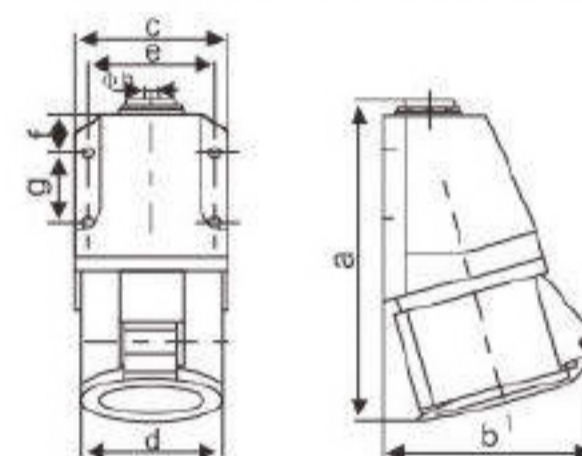
LK-113-4 LK-123-4



LK-113 LK-123

earth contact position	6h	
rated current(A)	16	32
	pole 3	
dimension(mm)	a	135
	b	92
	c	71
	d	50
	e	57
	f	20
	g	32.5
	h	6.5
cable nominal cross-section area(mm <sup>2</sup> )	1-2.5	2.5-6

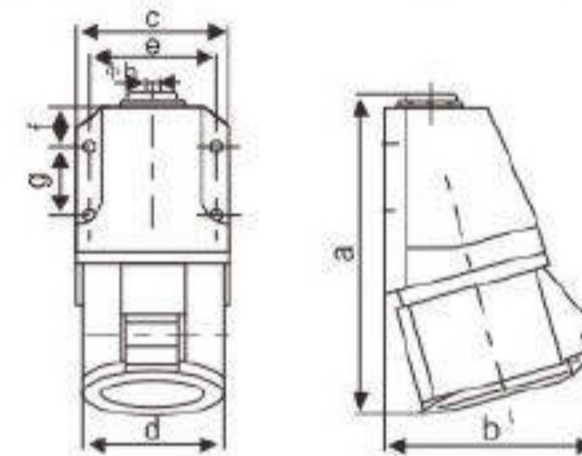
电 流 Current(A): 16A. 32A  
电 压 Voltage(V): 220-240V~2P+E  
防护等级 Protection degree: IP44



LK-114 LK-124

earth contact position	6h	
rated current(A)	16	32
	pole 4	
dimension(mm)	a	140
	b	95
	c	71
	d	56
	e	57
	f	20
	g	32.5
	h	6.5
cable nominal cross-section area(mm <sup>2</sup> )	1-2.5	2.5-6

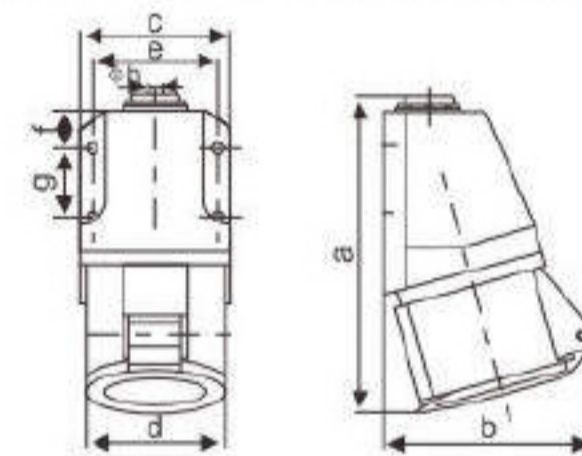
电 流 Current(A): 16A. 32A  
电 压 Voltage(V): 380-415V~3P+E  
防护等级 Protection degree: IP44



LK-115 LK-125

earth contact position	6h	
rated current(A)	16	32
	pole 5	
dimension(mm)	a	139
	b	100
	c	71
	d	63
	e	57
	f	20
	g	32.5
	h	6.5
cable nominal cross-section area(mm <sup>2</sup> )	1-2.5	2.5-6

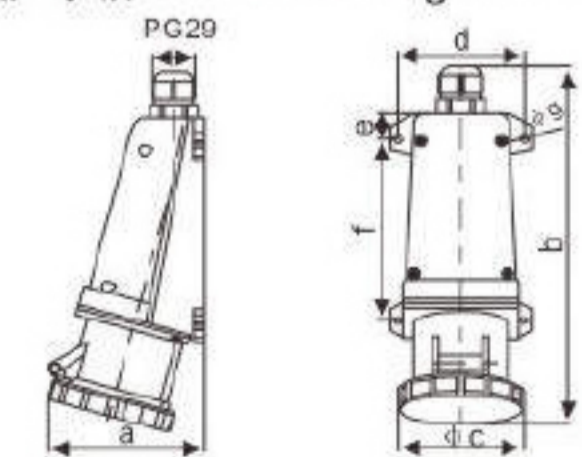
电 流 Current(A): 16A. 32A  
电 压 Voltage(V): 220-380V~ 3P+N+E  
240-415V~  
防护等级 Protection degree: IP44



LK-133 LK-143

earth contact position	6h	
rated current(A)	63	125
	pole 3	
dimension(mm)	a	134
	b	311
	c	108
	d	111
	e	20
	f	153
	g	6
cable nominal cross-section area(mm <sup>2</sup> )	6-25	25-70

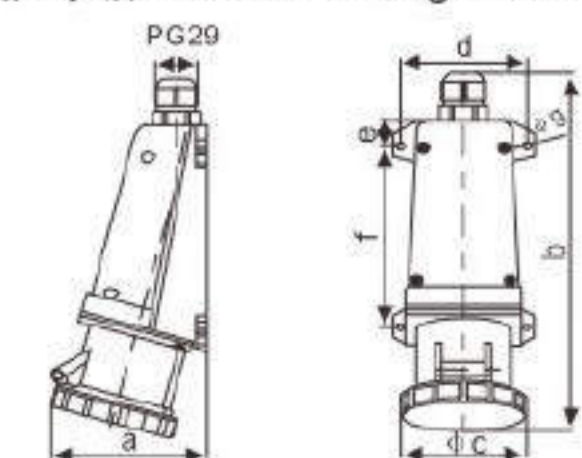
电 流 Current(A): 63A. 125A  
电 压 Voltage(V): 220-240V~2P+E  
防护等级 Protection degree: IP67



LK-135 LK-145

earth contact position	6h	
rated current(A)	63	125
	pole 5	
dimension(mm)	a	134
	b	311
	c	108
	d	111
	e	20
	f	153
	g	6
cable nominal cross-section area(mm <sup>2</sup> )	6-25	25-70

电 流 Current(A): 63A. 125A  
电 压 Voltage(V): 220-380V~ 3P+N+E  
240-415V~  
防护等级 Protection degree: IP67





3pol 4pol 5pol  
4h 4h 4h



3pol 4pol 5pol  
6h 9h 9h



3pol 4pol 5pol  
9h 6h 6h



3pol 4pol 5pol  
7h 7h 7h



3pol 4pol 5pol  
10h 10h 10h



3pol 4pol 5pol  
2h 2h 2h



3  
2P+E



4  
3P+E



5  
3P+N+E

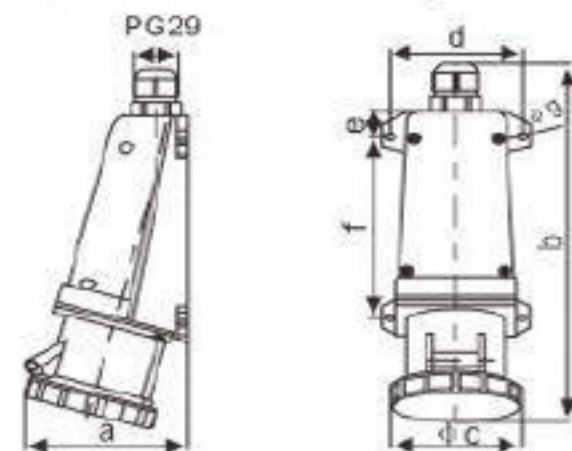
www.cnmccb.com



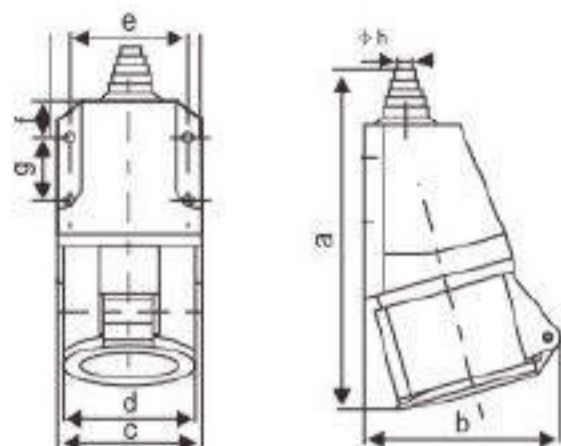
LK-135 LK-145

earth contact position	6h	
rated current(A)	63	125
	pole 5	
dimension(mm)	a	134
	b	311
	c	108
	d	111
	e	20
	f	153
	g	6
cable nominal cross-section area(mm <sup>2</sup> )	6-25	25-70

电 流 Current(A): 63A. 125A  
电 压 Voltage(V): 220-380V~ 3P+N+E  
240-415V~  
防护等级 Protection degree: IP67



电 流 Current(A): 16A. 32A  
电 压 Voltage(V): 110-130V~2P+E  
防护等级 Protection degree: IP44

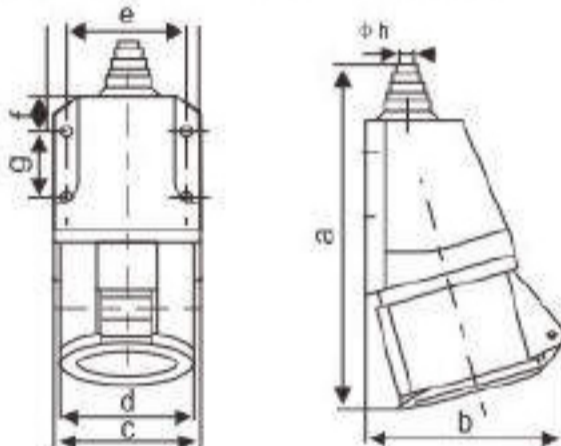


earth contact position	4h	
rated current(A)	16	32
	pole 3	
dimension(mm)	a	168
	b	92
	c	71
	d	50
	e	57
	f	20
	g	32.5
	h	6.5
cable nominal cross-section area(mm <sup>2</sup> )	1-2.5	2.5-6



LK-113L-4 LK-123L-4

电 流 Current(A): 16A. 32A  
电 压 Voltage(V): 220-240V~2P+E  
防护等级 Protection degree: IP44

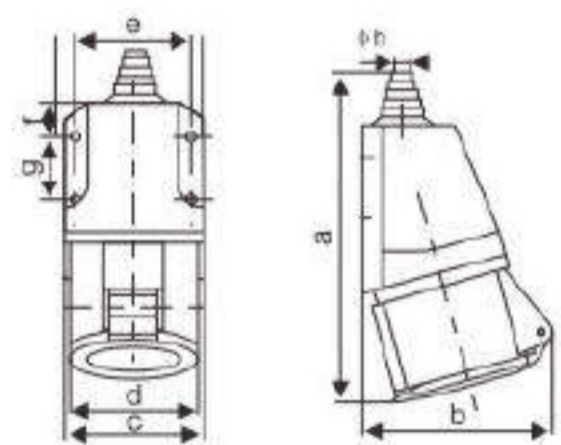


earth contact position	6h	
rated current(A)	16	32
	pole 3	
dimension(mm)	a	168
	b	92
	c	71
	d	50
	e	57
	f	20
	g	32.5
	h	6.5
cable nominal cross-section area(mm <sup>2</sup> )	1-2.5	2.5-6



LK-113L LK-123L

电 流 Current(A): 16A. 32A  
电 压 Voltage(V): 380-415V~3P+E  
防护等级 Protection degree: IP44

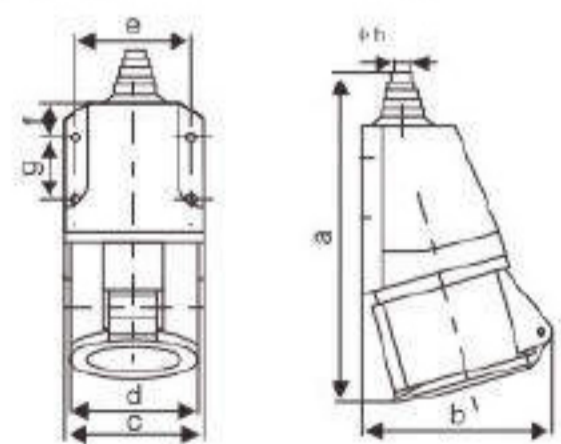


earth contact position	6h	
rated current(A)	16	32
	pole 4	
dimension(mm)	a	170
	b	95
	c	71
	d	56
	e	57
	f	20
	g	32.5
	h	6.5
cable nominal cross-section area(mm <sup>2</sup> )	1-2.5	2.5-6



LK-114L LK-124L

电 流 Current(A): 16A. 32A  
电 压 Voltage(V): 220-380V~ 3P+N+E  
240-415V~  
防护等级 Protection degree: IP44



earth contact position	6h	
rated current(A)	16	32
	pole 5	
dimension(mm)	a	166
	b	100
	c	71
	d	63
	e	57
	f	20
	g	32.5
	h	6.5
cable nominal cross-section area(mm <sup>2</sup> )	1-2.5	2.5-6



LK-115L LK-125L